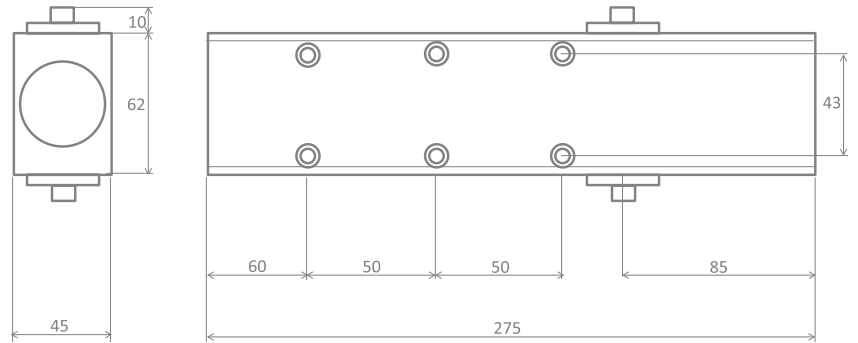


TS5.226 Size 3-6 Architectural Slimline Overhead Door Closer



Product Overview:

A high power, durable and stylish variable power overhead door closer. Suitable for most heavy duty applications particularly those requiring a greater closing force.

Fig 1

4	8	$\frac{3}{6}$	1	1	3
---	---	---------------	---	---	---

Fig 6 Push

3	8	$\frac{3}{5}$	1	1	3
---	---	---------------	---	---	---

Testing & Standards:

- CE marked against EN1154
- Certifire approved. Refer to CF689 for scope of approval
- Included in successful fire test to EN1634
- Suitable for use on timber fire doors of up to 120 minutes fire resistance
- 240 minutes insulated steel doors
- Safe in use
- High corrosion resistance

Specification

Closing Force (Fig 1)	EN Size	3-6
Door Size (max)	Width (mm)	1400
	Weight (kg)	120
Body Dimensions	Length (mm)	275
	Width (mm)	62
	Depth (mm)	45
Application	Regular Fig. 1	y
	Parallel Arm Fig. 6	y
	Transom Fig. 61	y*
Mechanism	Rack & Pinion	y
Power Shoe Bracket		n
Angle Of Opening		180°
Non Handed		y
Power Adjustment By Spring		y
Power Adjustment By Position		n
Adjustable Sweep Speed		y
Adjustable Latch Speed		y
Adjustable Backcheck		y
Adjustable Delayed Action		n
Guarantee	Years	25
Options		
Architrave Brackets		n
Drop Plates		y*
Hold-Open Arm (not suitable for use on fire doors)		y*
Slide Arm & Track		n
Hollow Door Fixing Pack		n
Saddle Bracket For Glass Door Installation		n
Upstand Bracket For Over Panel Or UPVC Door		y*
Cover Options		
Radius Edge		n
Semi-Radius		y
Full-Radius		n
Square		n
Finish Options		
Cover & Matching Armset		SIL, SSS, PSS, PB, RAL, BRONZE

* these options are not covered by CE