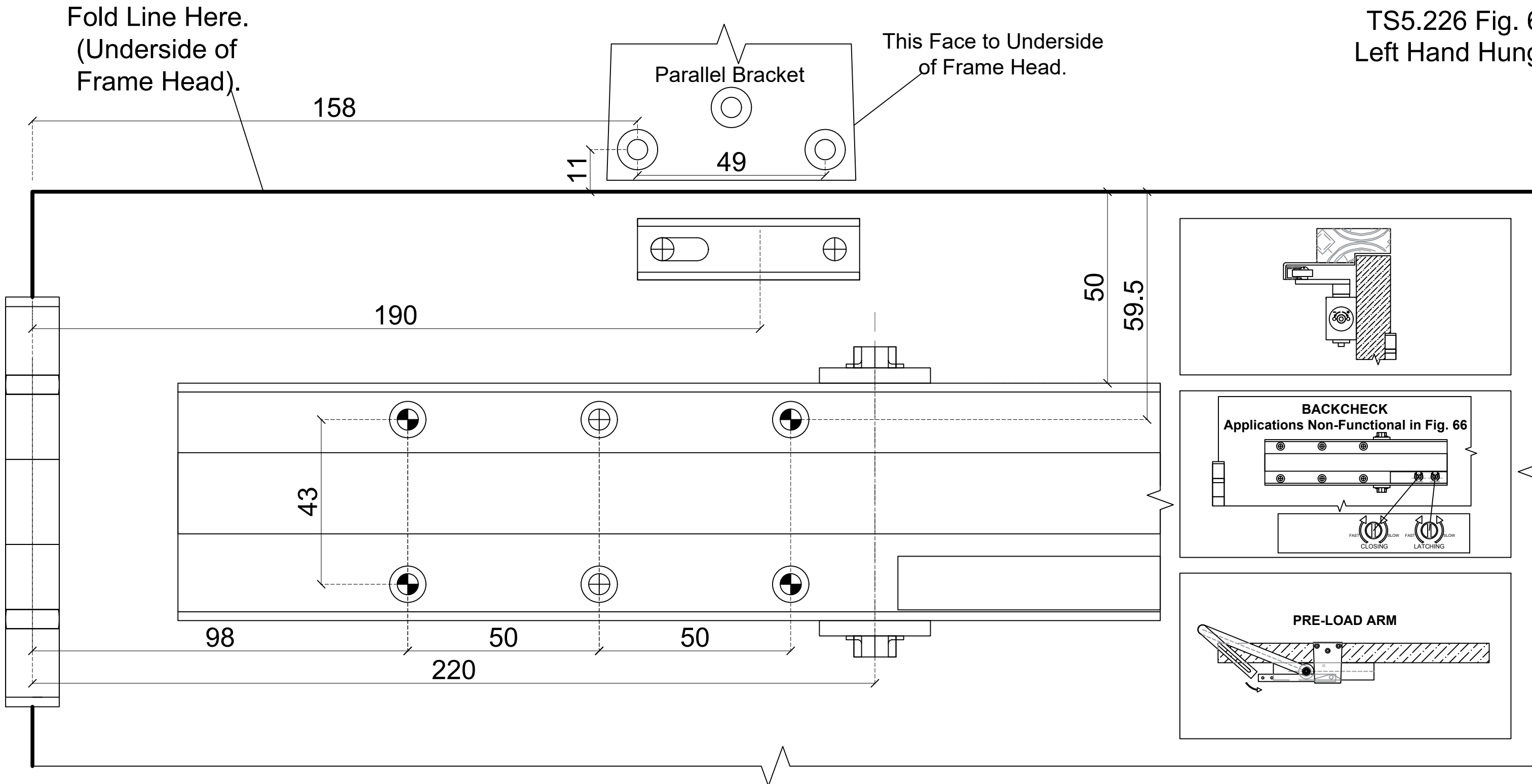
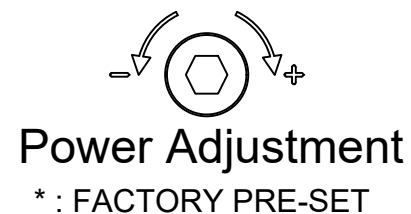


TS5.226 Fig. 6
Left Hand Hung.



2-6 Model		
N° of Turns	Direction	Size
0	*	4
3	+	5
8	+	6



EN1154		
Door Closer Power Size	Recommended Door Leaf Width Max mm	Test Door Mass (Kg)
1	750mm	20 Kg
2	850mm	40 Kg
3	950mm	60 Kg
4	1100mm	80 Kg
5	1250mm	100 Kg
6	1400mm	120 Kg



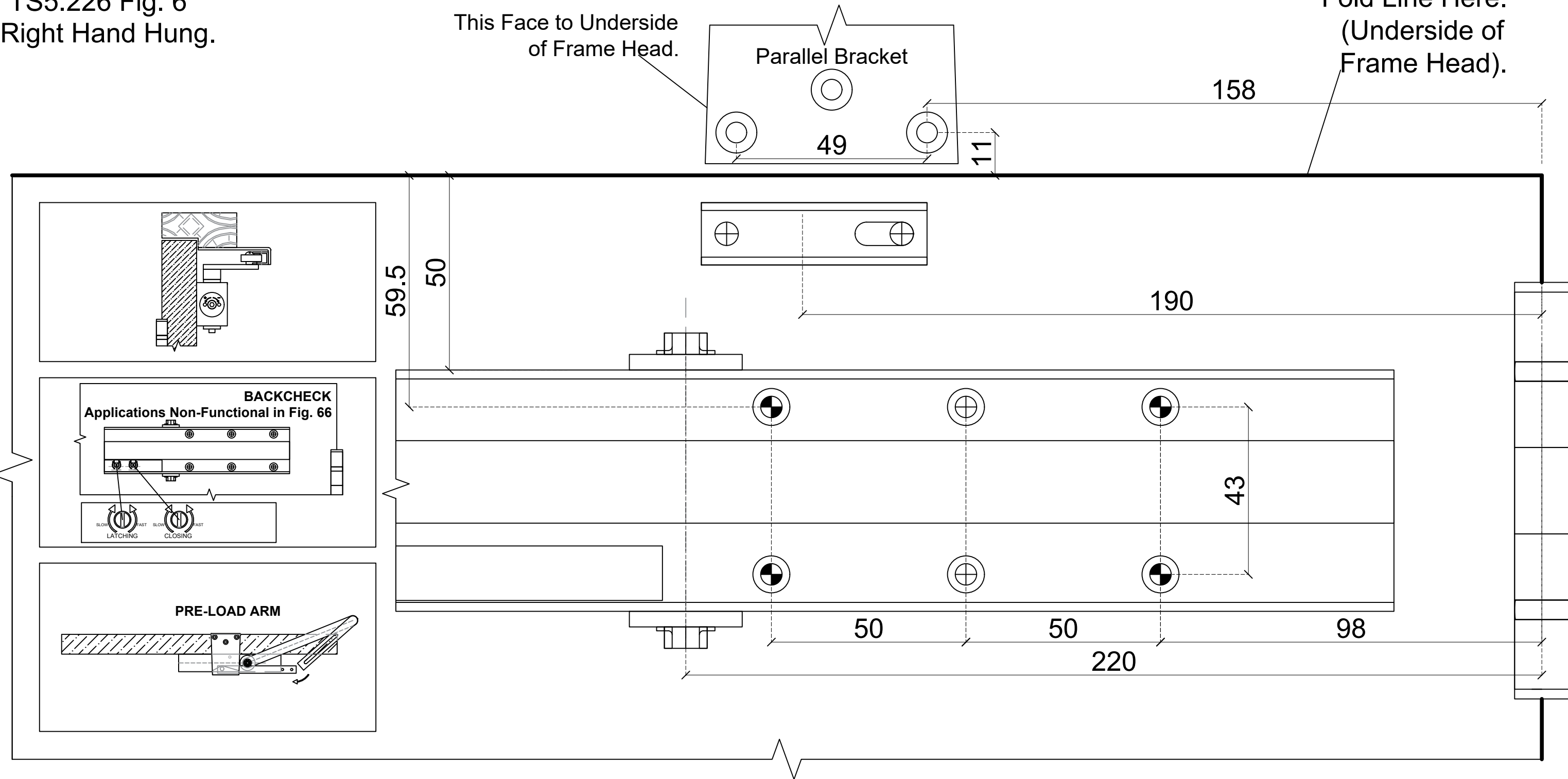
	Boss Door Controls Ltd 3 & 4 Rutherford Square Brucefield Industry Park LIVINGSTON, West Lothian EH54 9BU, United Kingdom	BOSS TS5.226
		2019
1121-CPR-AD5424	FIG 6 EN 1154:1996+A1:2002/2006	3 8 $\frac{3}{5}$ 1 1 3



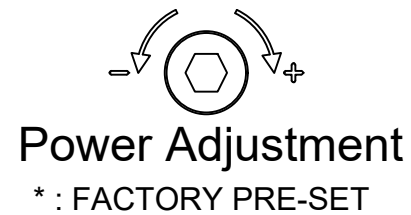
TS5.226 Fig. 6
Right Hand Hung.

This Face to Underside
of Frame Head.

Fold Line Here.
(Underside of
Frame Head).



2-6 Model		
N° of Turns	Direction	Size
0	*	4
3	+	5
8	+	6



EN1154		
Door Closer Power Size	Recommended Door Leaf Width Max mm	Test Door Mass (Kg)
1	750mm	20 Kg
2	850mm	40 Kg
3	950mm	60 Kg
4	1100mm	80 Kg
5	1250mm	100 Kg
6	1400mm	120 Kg



	Boss Door Controls Ltd 3 & 4 Rutherford Square Brucefield Industry Park LIVINGSTON, West Lothian EH54 9BU, United Kingdom	BOSS TS5.226
		2019
1121-CPR-AD5424	FIG 6 EN 1154:1996+A1:2002/2006	3 8 ³ / ₅ 1 1 3

