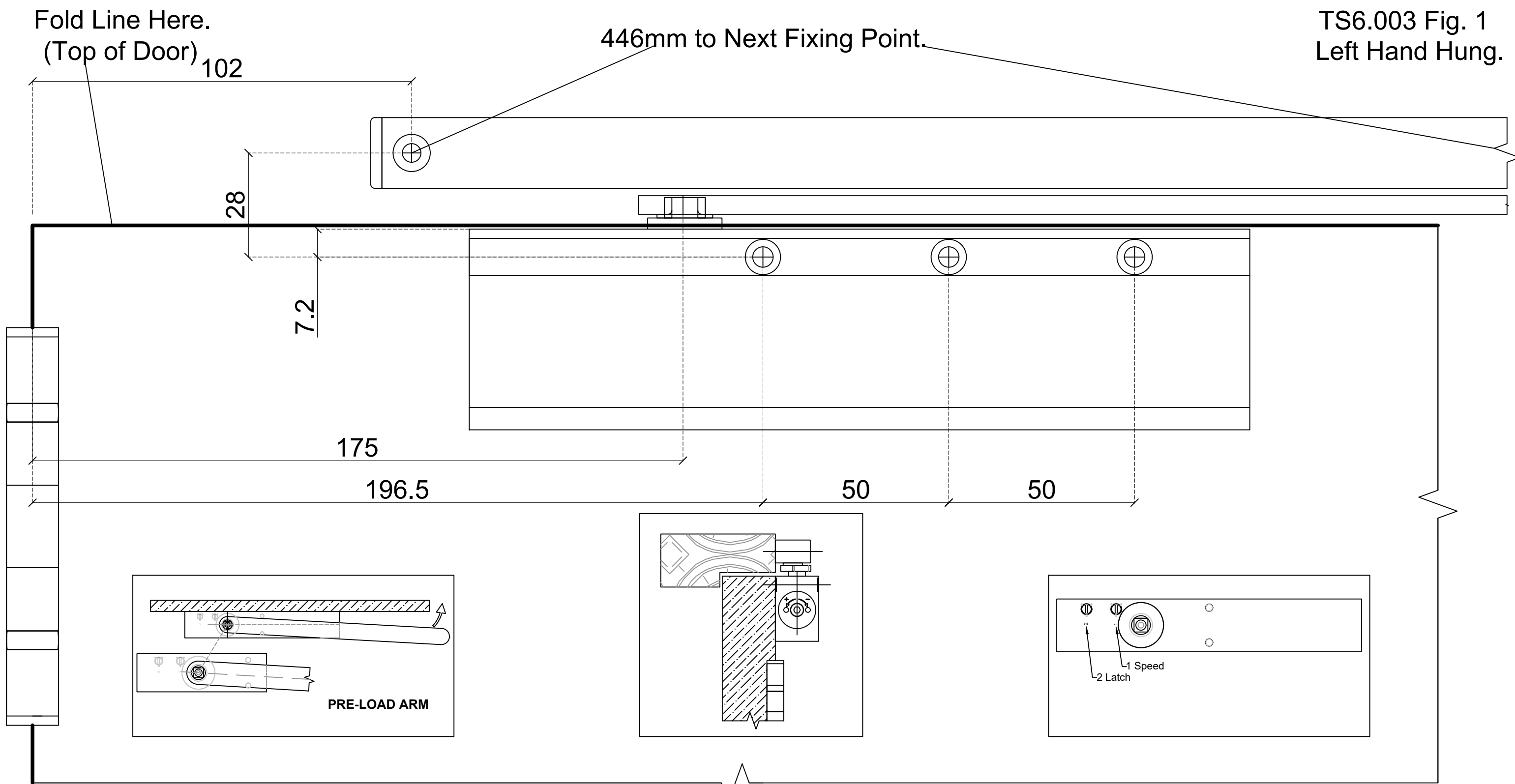


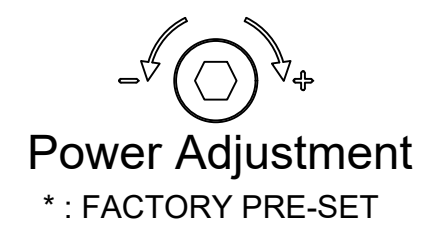
Fold Line Here.  
(Top of Door)

446mm to Next Fixing Point.

TS6.003 Fig. 1  
Left Hand Hung.



EN1154 Size 3		
N° of Turns	Direction	Size
4	-	2
0	*	3
6	+	3+

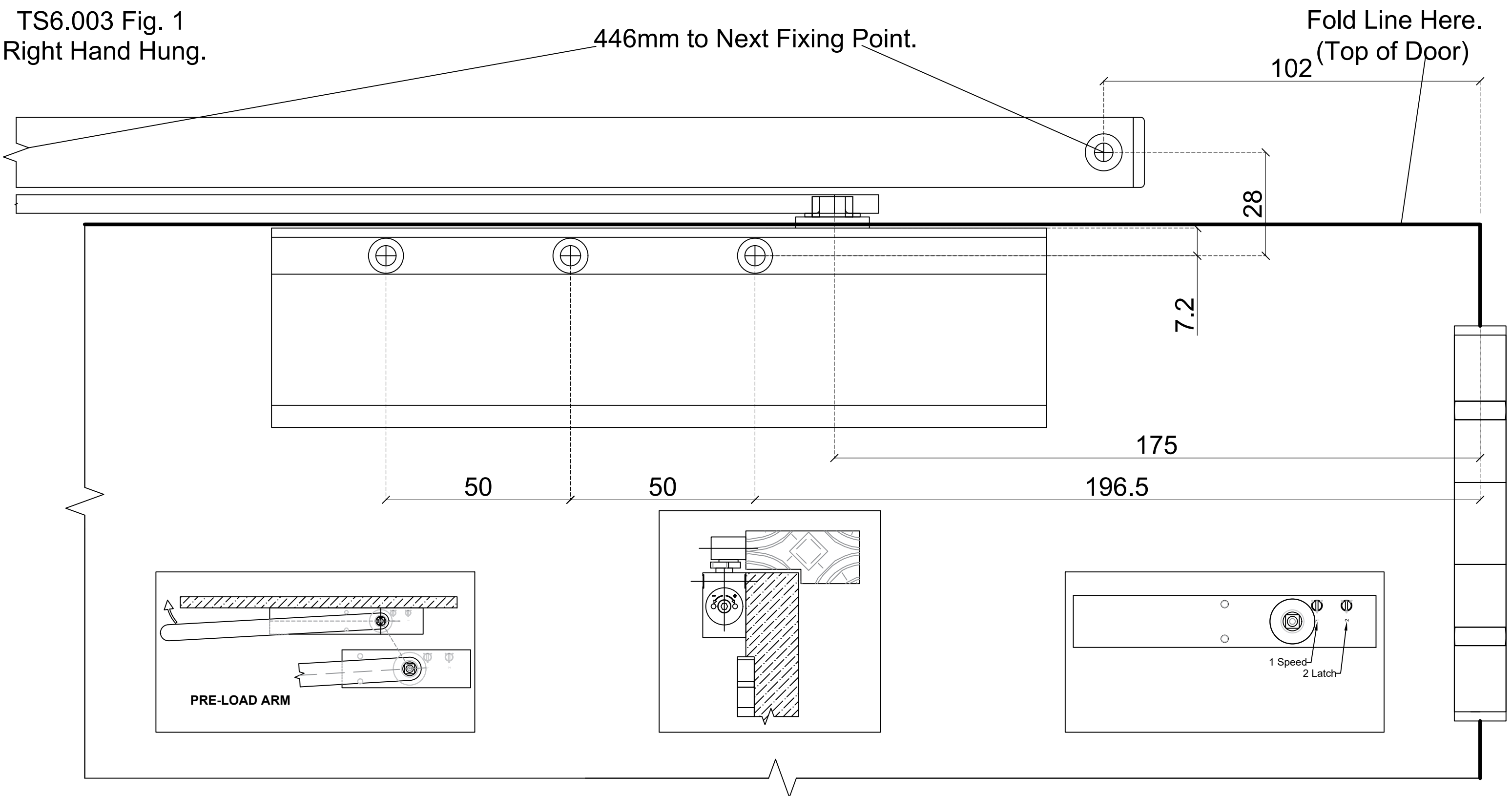


EN1154		
Door Closer Power Size	Recommended Door Leaf Width Max mm	Test Door Mass (Kg)
1	750mm	20 Kg
2	850mm	40 Kg
3	950mm	60 Kg
4	1100mm	80 Kg
5	1250mm	100 Kg
6	1400mm	120 Kg

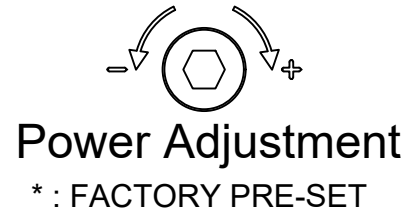
	Boss Door Controls Ltd 3 & 4 Rutherford Square Brucefield Industry Park LIVINGSTON, West Lothian EH54 9BU, United Kingdom	BOSS TS6.003
		2019
1121-CPR-AD0300	FIG 1 EN 1154:1996+A1:2002/2006	3   8   3   1   1   3



TS6.003 Fig. 1  
Right Hand Hung.



EN1154 Size 3		
N° of Turns	Direction	Size
4	-	2
0	*	3
6	+	3+



EN1154		
Door Closer Power Size	Recommended Door Leaf Width Max mm	Test Door Mass (Kg)
1	750mm	20 Kg
2	850mm	40 Kg
3	950mm	60 Kg
4	1100mm	80 Kg
5	1250mm	100 Kg
6	1400mm	120 Kg

<b>CE</b>	Boss Door Controls Ltd 3 & 4 Rutherford Square Brucefield Industry Park LIVINGSTON, West Lothian EH54 9BU, United Kingdom	BOSS TS6.003
	FIG 1 EN 1154:1996+A1:2002/2006	2019
1121-CPR-AD0300	3	8 3 1 1 3

