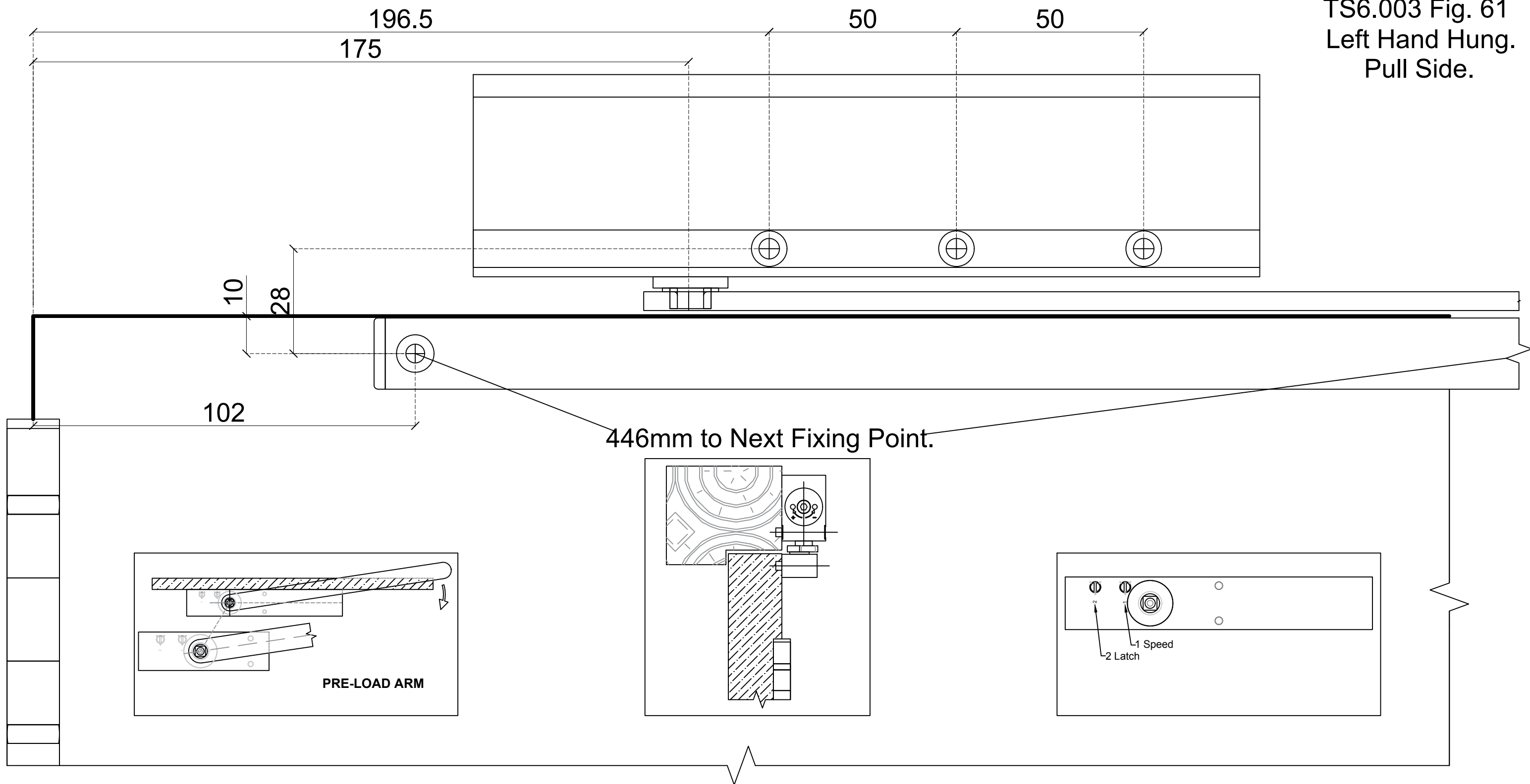
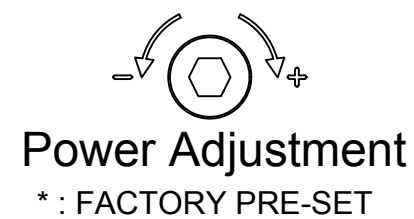


TS6.003 Fig. 61
Left Hand Hung.
Pull Side.



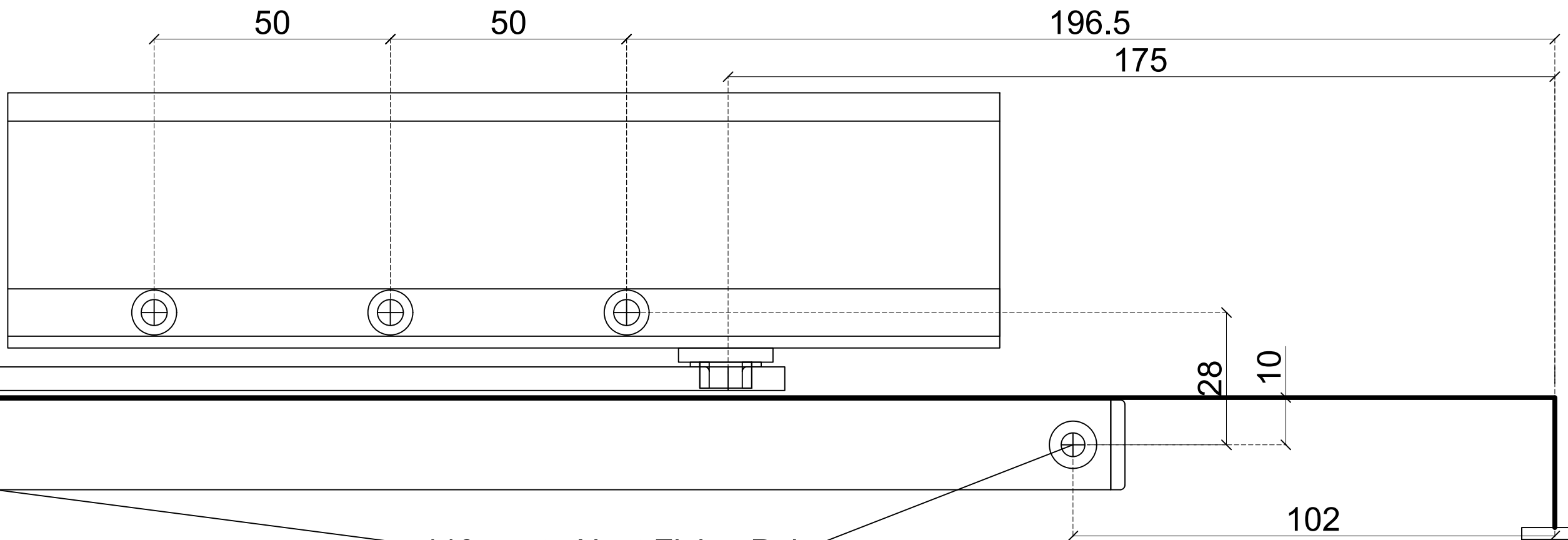
EN1154 Size 3		
N° of Turns	Direction	Size
4	-	2
0	*	3
6	+	3+



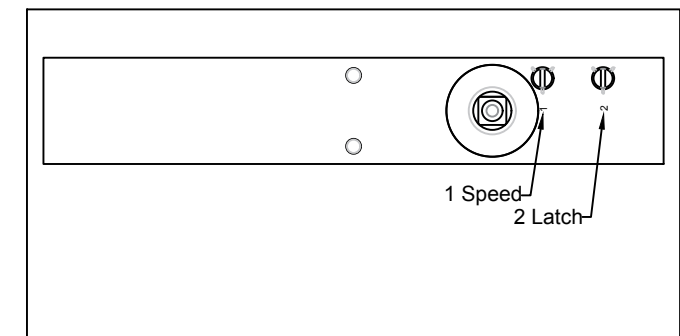
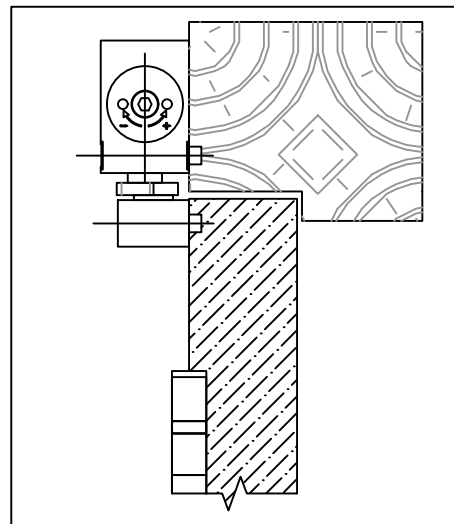
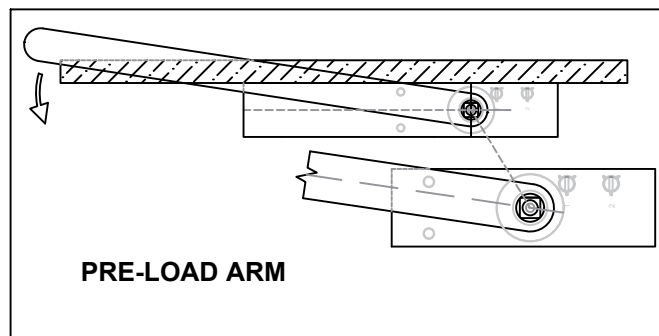
EN1154		
Door Closer Power Size	Recommended Door Leaf Width Max mm	Test Door Mass (Kg)
1	750mm	20 Kg
2	850mm	40 Kg
3	950mm	60 Kg
4	1100mm	80 Kg
5	1250mm	100 Kg
6	1400mm	120 Kg



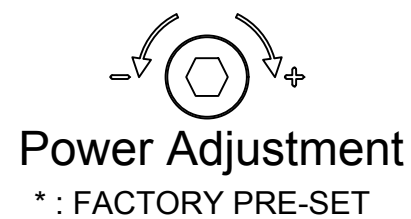
TS6.003 Fig. 61
Right Hand Hung.
Pull Side.



446mm to Next Fixing Point.



EN1154 Size 3		
N° of Turns	Direction	Size
4	-	2
0	*	3
6	+	3+



EN1154		
Door Closer Power Size	Recommended Door Leaf Width Max mm	Test Door Mass (Kg)
1	750mm	20 Kg
2	850mm	40 Kg
3	950mm	60 Kg
4	1100mm	80 Kg
5	1250mm	100 Kg
6	1400mm	120 Kg

