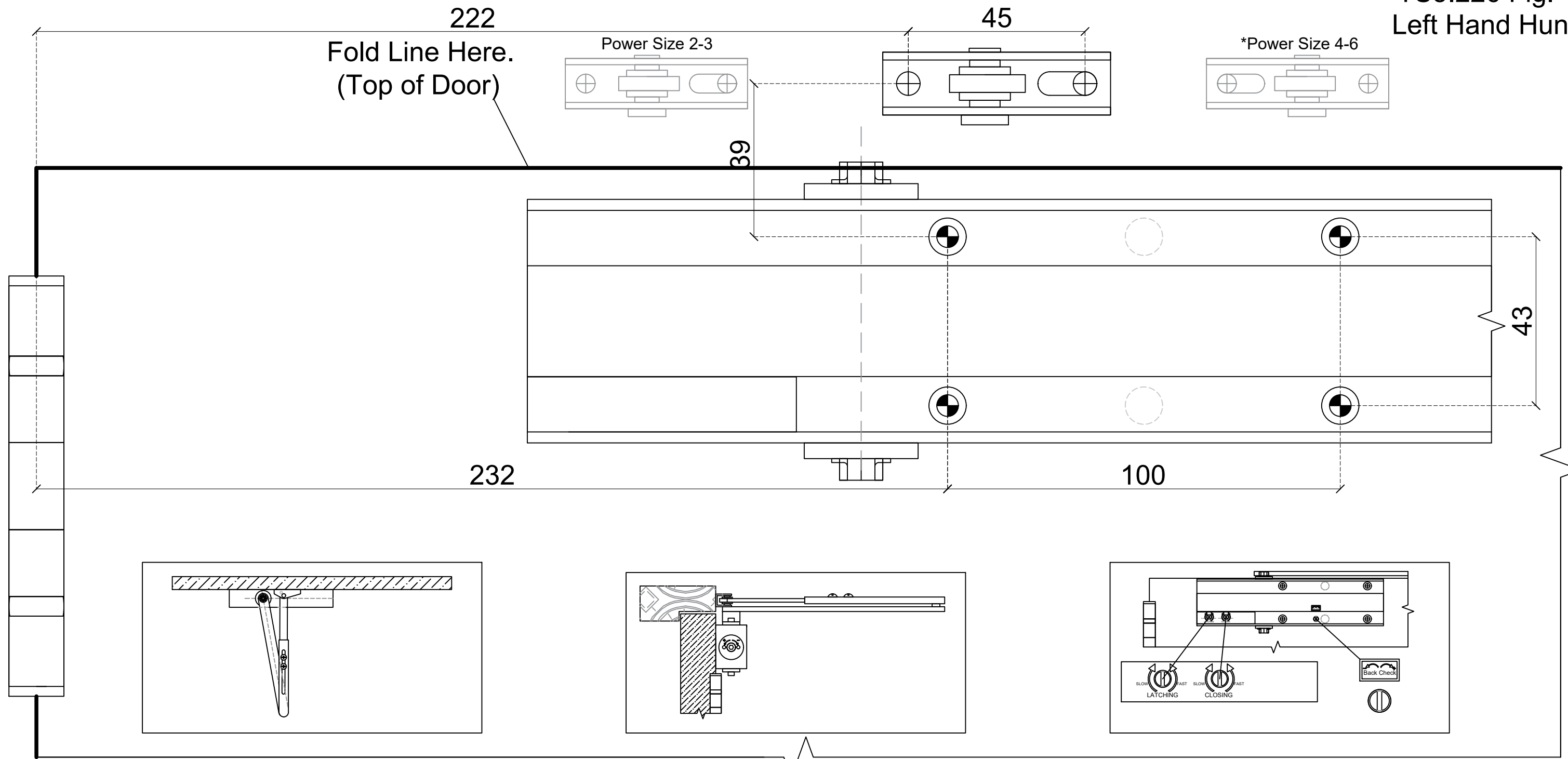
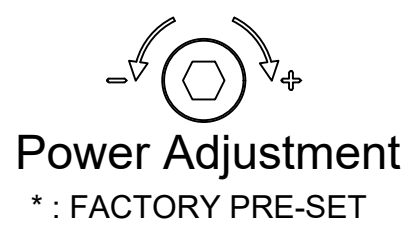


TS5.226 Fig. 1  
Left Hand Hung.



2-6 Model		
N° of Turns	Direction	Size
5	-	2
0	*	3
0	+	4*
3	+	5
8	+	6



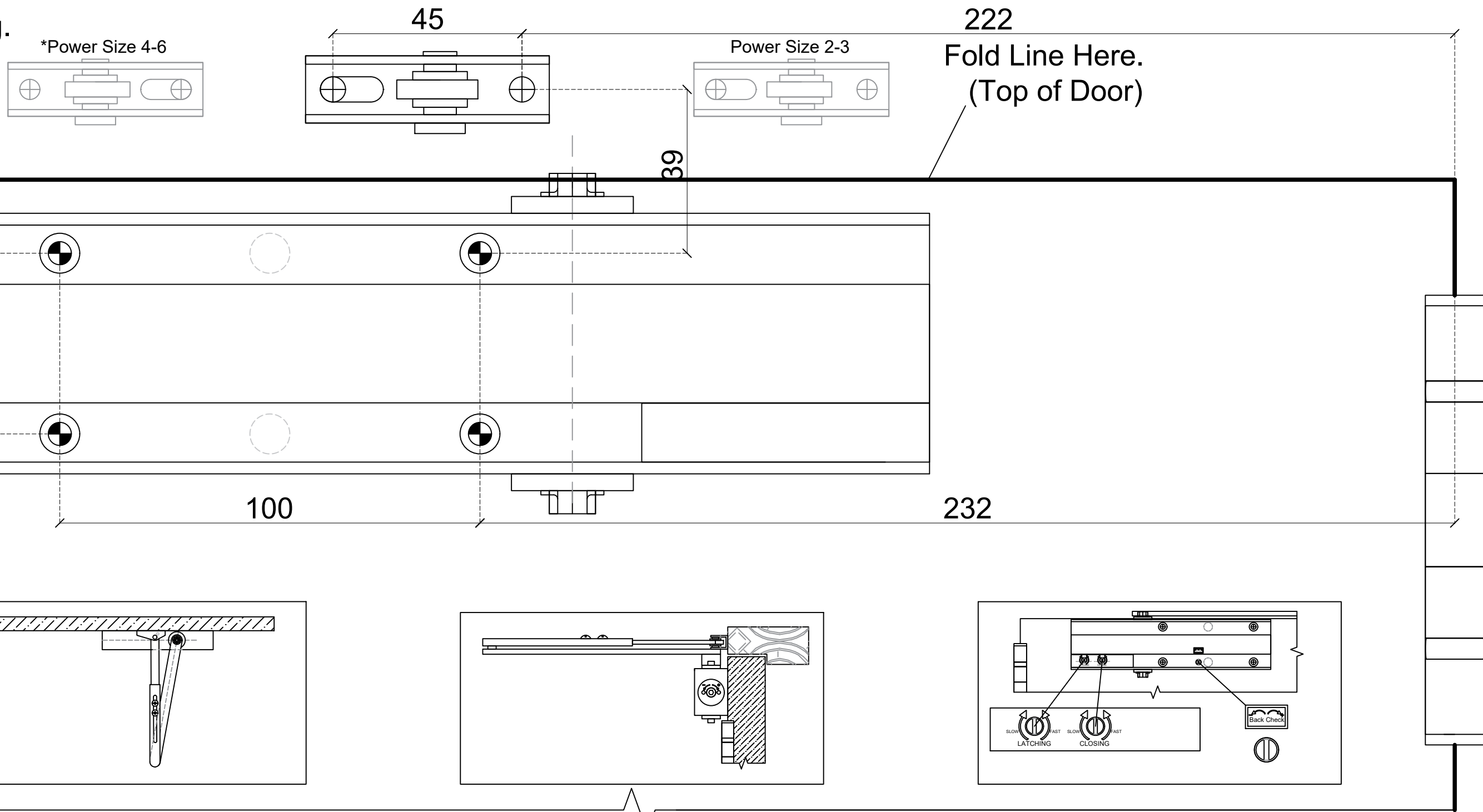
EN1154		
Door Closer Power Size	Recommended Door Leaf Width Max mm	Test Door Mass (Kg)
1	750mm	20 Kg
2	850mm	40 Kg
3	950mm	60 Kg
4	1100mm	80 Kg
5	1250mm	100 Kg
6	1400mm	120 Kg



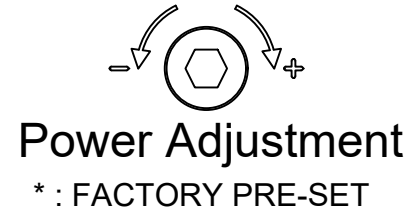
	Boss Door Controls Ltd 3 & 4 Rutherford Square Brucefield Industry Park LIVINGSTON, West Lothian EH54 9BU, United Kingdom	BOSS TS5.226
	FIG 1 EN 1154:1996+A1:2002/2006	2019
1121-CPR-AD5424		4   8   3/6   1   1   3



TS5.226 Fig. 1  
Right Hand Hung.



2-6 Model		
N° of Turns	Direction	Size
5	-	2
0	*	3
0	+	4*
3	+	5
8	+	6



EN1154		
Door Closer Power Size	Recommended Door Leaf Width Max mm	Test Door Mass (Kg)
1	750mm	20 Kg
2	850mm	40 Kg
3	950mm	60 Kg
4	1100mm	80 Kg
5	1250mm	100 Kg
6	1400mm	120 Kg



<b>CE</b>	Boss Door Controls Ltd 3 & 4 Rutherford Square Brucefield Industry Park LIVINGSTON, West Lothian EH54 9BU, United Kingdom	BOSS TS5.226
		2019
1121-CPR-AD5424	FIG 1 EN 1154:1996+A1:2002/2006	4 8 $\frac{3}{6}$ 1 1 3

